

Features

- Vitreous china
- Under-mount
- Without overflow
- Available with KOHLER Artist Editions designs
- Includes 1193643 clamp assembly
- 14" (356 mm) diameter

UNDER-MOUNT BATHROOM SINK K-2349

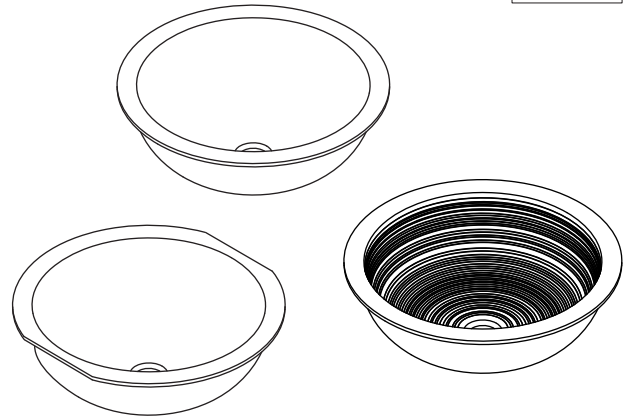
ALSO K-14026, K-14036, K-14046

ADA

Codes/Standards Applicable

Specified model meets or exceeds the following:

- ADA
- ASME A112.19.2/CSA B45.1
- ICC/ANSI A117.1



Colors/Finishes

- 0: White
- Other: Refer to Price Book for additional colors/finishes

Specified Model

Model	Description	Colors/Finishes	
		<input type="checkbox"/> 0	<input type="checkbox"/> Other _____
K-2349	Under-mount bathroom sink	<input type="checkbox"/> 0	<input type="checkbox"/> Other _____
K-14026	Under-mount bathroom sink with painted underside – Artist Editions		<input type="checkbox"/> Other _____
K-14036	Under-mount bathroom sink less painted underside – Artist Editions		<input type="checkbox"/> Other _____
K-14046	Under-mount bathroom sink with cut edges – Artist Editions		<input type="checkbox"/> Other _____
K-14287	Under-mount bathroom sink with or without glazed underside – Artist Editions	<input type="checkbox"/> 0	<input type="checkbox"/> Other _____
K-14298	Under-mount bathroom sink with decorative carving – Artist Editions	<input type="checkbox"/> 0	<input type="checkbox"/> Other _____

Product Specification

The under-mount vitreous china bathroom sink shall be 14" (356 mm) in diameter, with a 13-3/4" (349 mm) usable interior diameter. Bathroom sink shall be available with Artist Editions designs. Bathroom sink shall be without overflow. Bathroom sink shall include 1193643 clamp assembly. Bathroom sink shall be Kohler Model K-_____-_____.

CAMBER®

Technical Information

Fixture*:	
Basin area	Ø 13-3/4" (349 mm)
Water depth	5" (127 mm)
Drain hole	Ø 1-3/4" (32 mm)
* Approximate measurements for comparison only.	
Included components:	
Basin clamp assembly	1193643

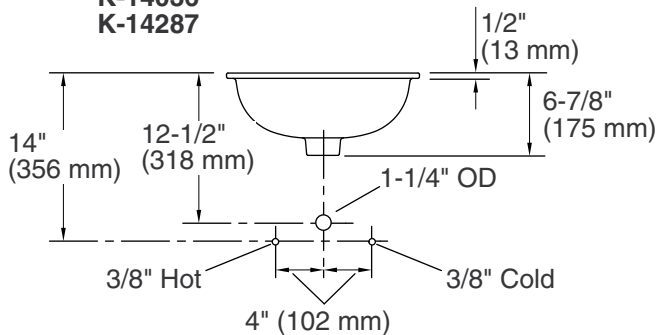
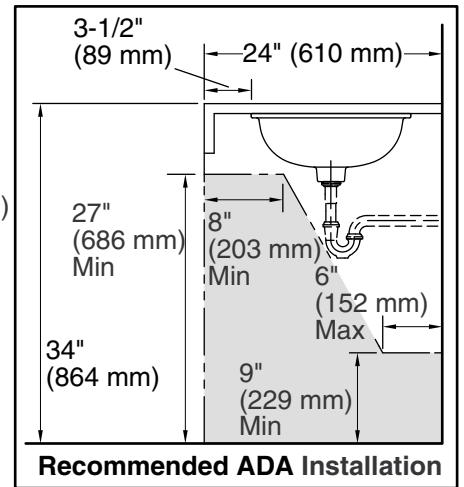
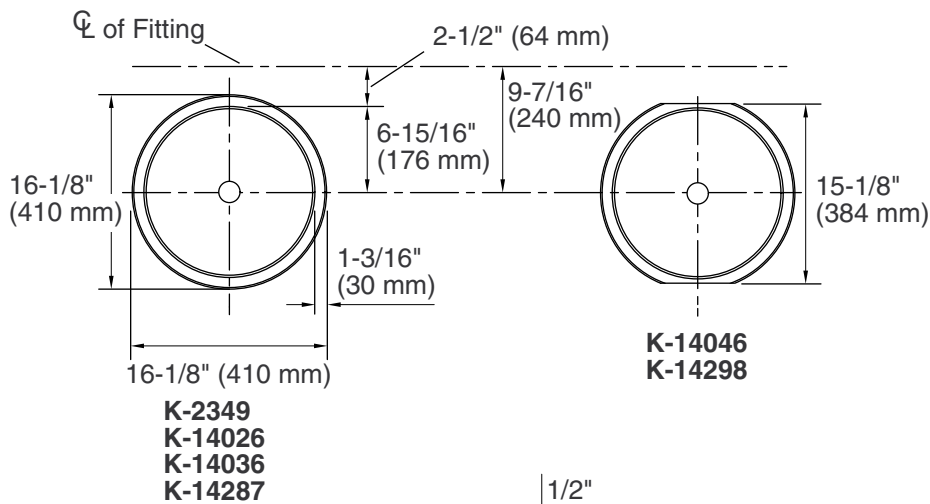
Installation Notes

Install this product according to the installation guide.

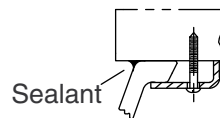
Cutout template: 1035896-7

NOTICE: Countertop manufacturer or cutter must use the current product template available at www.kohler.com, or by calling 1-800-4KOHLER. Kohler Co. is not responsible for cutout errors when the incorrect cutout template is used.

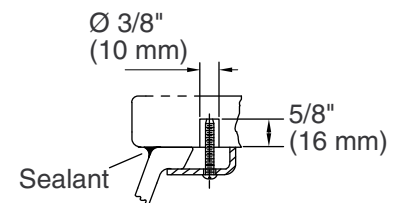
Will comply with **ADA** when installed per section 606 Lavatories and Sinks of the 2010 ADA Standards for Accessible Design.



Standard Installation



Wood Installation



Marble Installation

Product Diagram