

Features

- Classically inspired embossed pattern on underside.
- No faucet holes; requires wall- or counter-mount faucet.
- 19" diameter

Material

- Glass

Installation

- Vessel

Required Products/Accessories

K-7107 Decorative Drain

or

K-7108 Decorative Drain

or

K-7129 Drain

Components

Additional included component/s: Drain gasket kit.



ADA

Codes/Standards

CSA B45.11/IAPMO Z401

ADA

ICC/ANSI A117.1


KOHLER® One-Year Limited Warranty

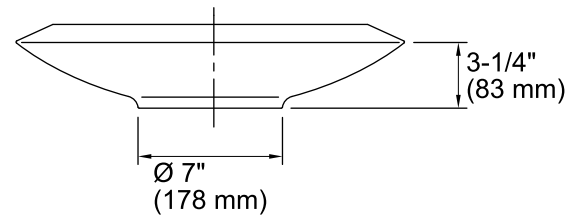
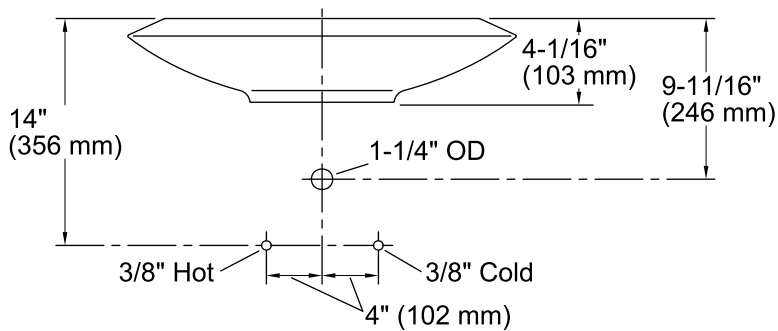
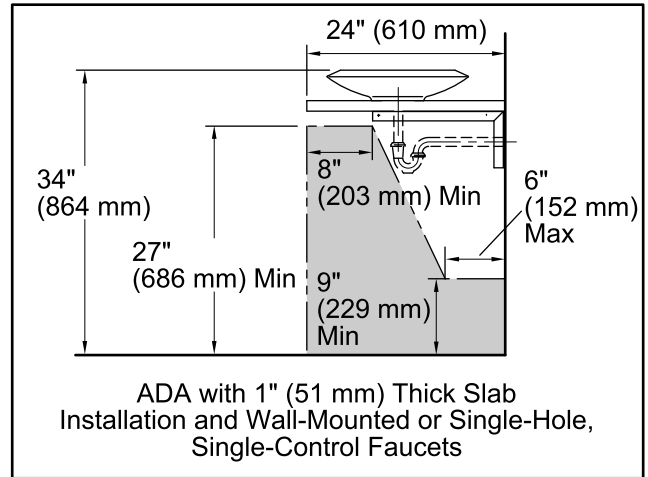
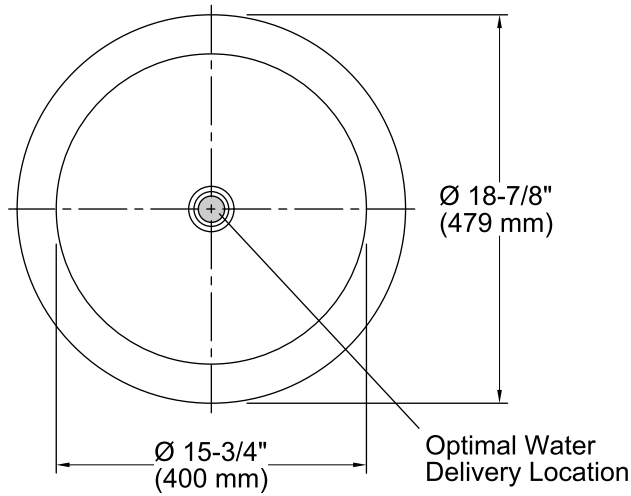
See website for detailed warranty information.

Available Colors/Finishes

Color tiles intended for reference only.

Color	Code	Description
-------	------	-------------

	B11	Ice
--	-----	-----



Technical Information

All product dimensions are nominal.

Bowl configuration:	Single
Installation:	Vessel
Bowl area (Only):	Diameter: 15-3/4" (400 mm) Water depth: 3-1/2" (89 mm)
Drain hole:	1-5/8" (41 mm)

Notes

Install this product according to the installation instructions.

Product does not have an overflow.

ADA compliant when installed to the specific requirements of these regulations.