



Man's Lav™

Drop-In Bathroom Sink

K-2885-8

Features

- 8-inch center faucet holes.
- Sloped rectangular basin.
- Overflow drain.

Material

- KOHLER® enameled cast iron.

Installation

- Drop-in

Recommended Products/Accessories

K-8998 P-Trap



ADA

Codes/Standards

ASME A112.19.1/CSA B45.2
ADA
ICC/ANSI A117.1




Lifetime Limited Warranty for KOHLER® Cast Iron Components

See website for detailed warranty information.

Available Colors/Finishes

Color tiles intended for reference only.

| Color | Code | Description |
|-------|------|-------------|
|-------|------|-------------|

| | | |
|--|----|---------|
|  | 0 | White |
|  | 96 | Biscuit |
|  | 47 | Almond |

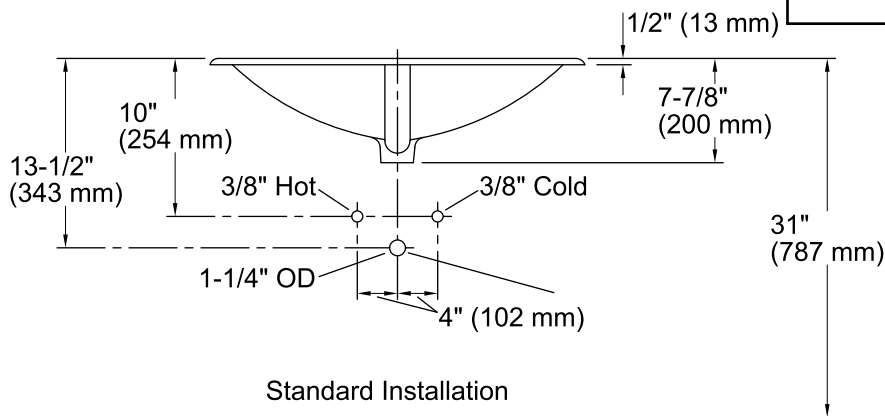
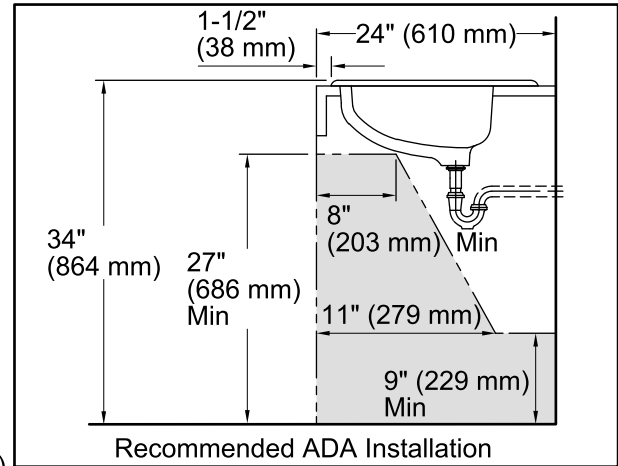
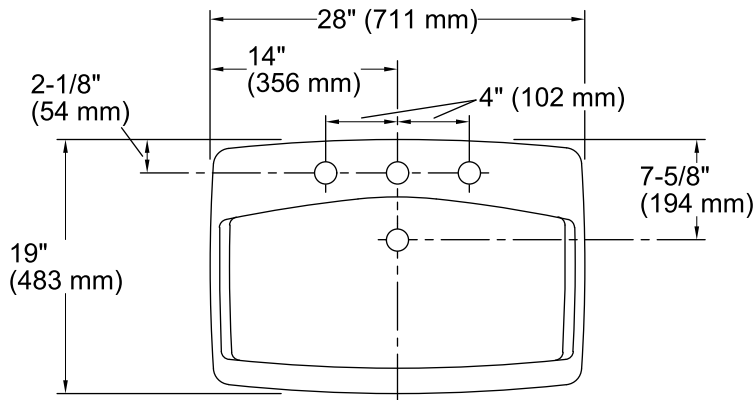
1-800-4KOHLER (1-800-456-4537)

Kohler Co. reserves the right to make revisions without notice to product specifications.

For the most current Specification Sheet, go to www.kohler.com.

1-31-2019 12:55 - US/CA

THE BOLD LOOK
OF **KOHLER**®



Technical Information

All product dimensions are nominal.

| | |
|-----------------------|---|
| Bowl configuration: | Single |
| Installation: | Drop-in |
| Bowl area (Only): | Length: 24" (610 mm) Width: 13" (330 mm) Water depth: 4-1/4" (108 mm) |
| Number of deck holes: | 3 |
| Faucet hole spacing: | 8" (203 mm) |
| Faucet hole(s): | 1-3/8" (35 mm) |
| Drain hole: | 1-3/4" (44 mm) |
| Template: | 101090-7, required, included |

Notes

Install this product according to the installation instructions.

ADA compliant when installed to the specific requirements of these regulations.