



# Tresham® Rectangle

Drop-in Bathroom Sink  
K-2991-8

## Features

- 8-inch center faucet holes.
- Rectangular basin with raised rim.
- Overflow drain.
- Coordinates with other products in the Tresham collection.
- 8" widespread faucet drilling

## Material

- Vitreous china.

## Installation

- Drop-in

## Recommended Products/Accessories

K-8998 P-Trap



ADA

## Codes/Standards

ASME A112.19.2/CSA B45.1

ADA










ICC/ANSI A117.1

## KOHLER® One-Year Limited Warranty

See website for detailed warranty information.

## Available Colors/Finishes

*Color tiles intended for reference only.*

Color	Code	Description
	0	White
	96	Biscuit
	47	Almond
	NY	Dune
	95	Ice™ Grey
	G9	Sandbar
	K4	Cashmere
	58	Thunder™ Grey
	7	Black Black™

1-800-4KOHLER (1-800-456-4537)

Kohler Co. reserves the right to make revisions without notice to product specifications.

For the most current Specification Sheet, go to [www.kohler.com](http://www.kohler.com).

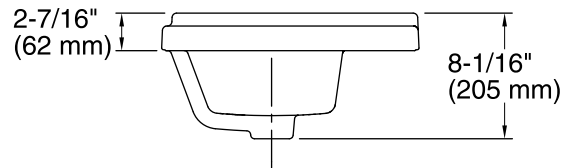
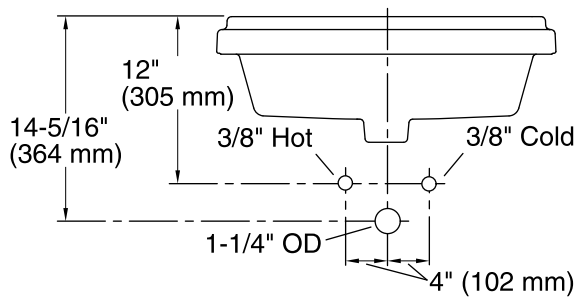
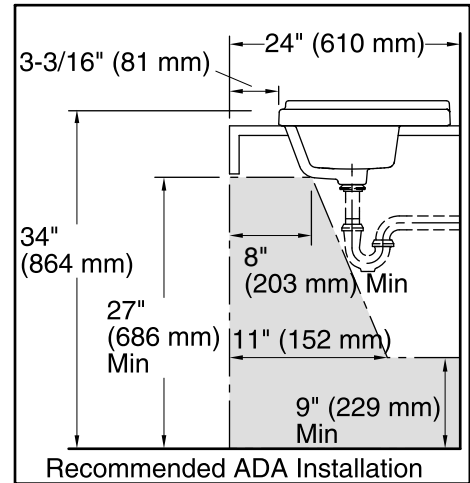
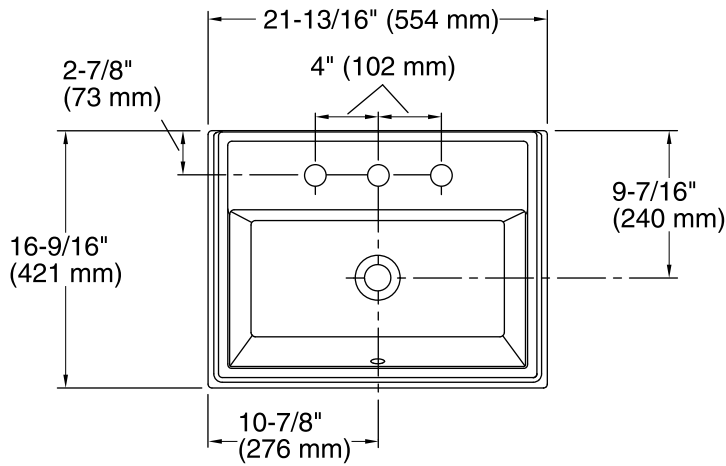
1-31-2019 12:59 - US/CA/MX

THE BOLD LOOK  
OF **KOHLER**®



# Tresham® Rectangle

Drop-in Bathroom Sink  
**K-2991-8**



## Technical Information

All product dimensions are nominal.

- Bowl configuration: Single  
Installation: Drop-in  
Bowl area (Only): Length: 19-13/16" (503 mm)  
Width: 10-3/16" (259 mm)  
Water depth: 6-1/16" (154 mm)  
Number of deck holes: 3  
Faucet hole spacing: 8" (203 mm)  
Faucet hole(s): 1-3/8" (35 mm)  
Drain hole: 1-3/4" (44 mm)  
Template: 1162721-7, required, included

## Notes

Install this product according to the installation instructions.

**NOTICE:** Countertop manufacturer or cutter must use the cut-out template provided with the product, or a current one provided by Kohler Co. (call 1-800-4KOHLER). Kohler Co. is not responsible for cutout errors when the incorrect cut-out template is used.

ADA compliant when installed to the specific requirements of these regulations.