



Fairfax®
Toilet Tissue Holder
K-12157

Features

- Solid-brass construction for durability.
- KOHLER finishes resist corrosion and tarnish.
- Coordinates with Fairfax faucets and accessories.

Installation

- Tools and installation template included.

Components

Additional included component/s: Installation hardware.



Codes/Standards




None Applicable

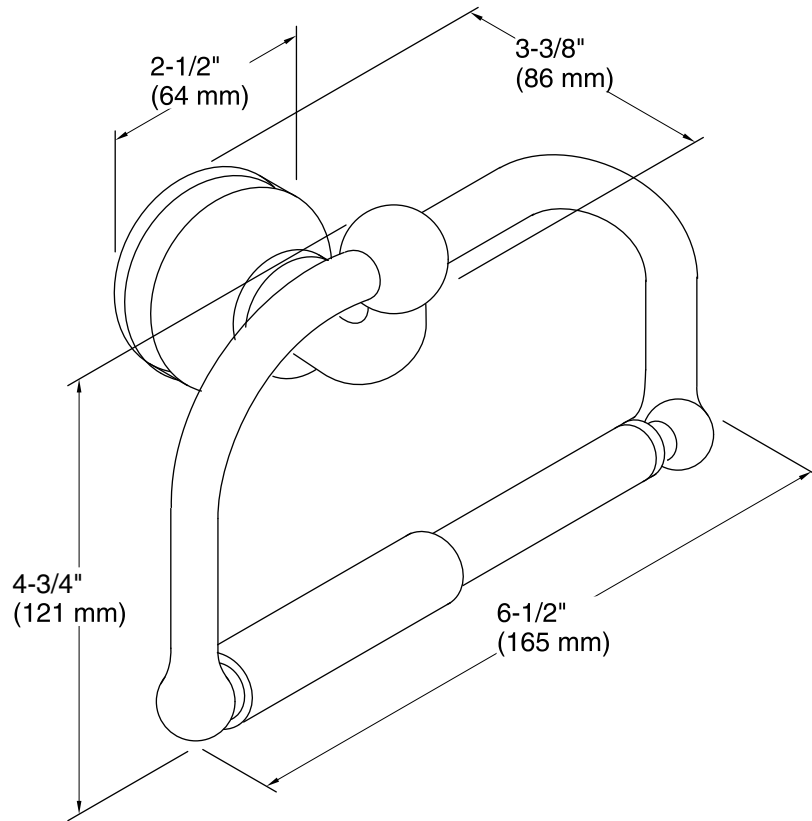
**KOHLER® Faucet Lifetime Limited
Warranty**

See website for detailed warranty information.

Available Colors/Finishes

Color tiles intended for reference only.

Color	Code	Description
	CP	Polished Chrome
	BN	Vibrant® Brushed Nickel
	2BZ	Oil-Rubbed Bronze



Technical Information

All product dimensions are nominal.

Notes

Install this product according to the installation guide.