



Coralais®
Toilet Tissue Holder
K-13434

Features

- Premium metal construction for durability.
- KOHLER finishes resist corrosion and tarnish.
- Coordinates with Coralais faucets and accessories.

Installation

- Tools and installation template included.

Components

Additional included component/s: Installation hardware, and template.



Codes/Standards



None Applicable

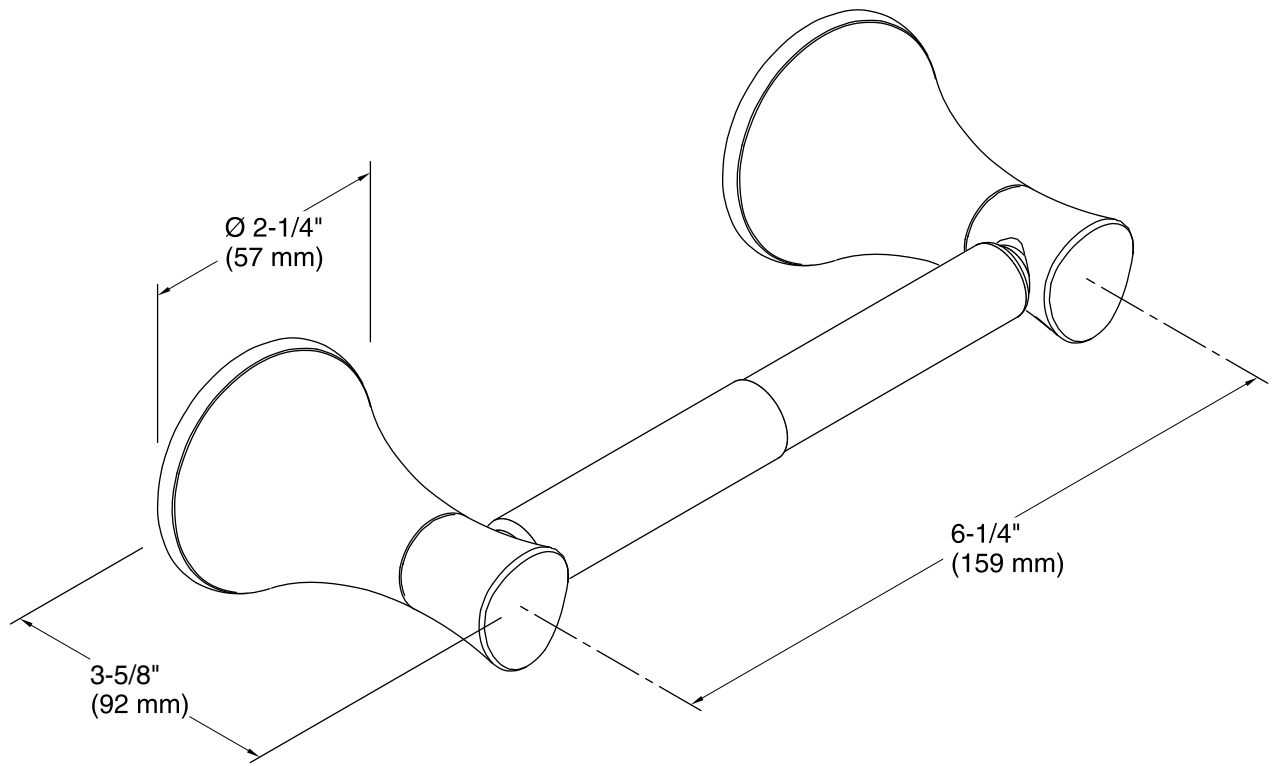
KOHLER® Faucet Lifetime Limited Warranty

See website for detailed warranty information.

Available Colors/Finishes

Color tiles intended for reference only.

Color	Code	Description
	CP	Polished Chrome
	G	Brushed Chrome
	BN	Vibrant® Brushed Nickel



Technical Information

All product dimensions are nominal.

Notes

Install this product according to the installation guide.

CAUTION: Risk of personal injury. Do not install these products in any area where they are likely to be used inadvertently as a grab bar or support bar. These products are not designed or intended for use as a grab bar or support bar.