



Features

- 6 hydromassage jets can be individually adjusted for water flow and direction.
- Variable-speed pump for adjusting massage intensity.
- Adjustable neckjet pillow with 2 jets provides a stimulating, stress-relieving neck massage.
- 10 backjets target the lower back and shoulders to relieve tension and encourage deep breathing.
- 8 effervescence ports deliver gentle, caressing bubbles.
- Chromatherapy lighting allows you to select a preferred color scheme to suit your mood.
- Built-in heater.
- Remote control.
- Lighted keypad.
- Generous 6-foot length provides an incredibly spacious bathing area.
- Drilled for grab bars (required); sold separately.

Material

- Acrylic

Hydrotherapy

- Whirlpool
- Neckjets
- Backjets
- Effervescence
- Chromatherapy

Installation

- Drop-in

Additional Hydrotherapy Options

- Soaking Bath - 1417-0
- Soaking Bath + Bask heated surface - 1417-W1
- BubbleMassage air bath - 1418-G
- BubbleMassage air bath + Bask heated surface - 1418-GW
- VibrAcoustic - 1418-VB
- VibrAcoustic + Bask heated surface - 1418-VBW
- Whirlpool - 1418-H2
- Effervescence Relax Package - 1418-CT
- Effervescence Spa Package - 1418-AH
- Whirlpool Massage Package - 1418-M
- Spa Package + Massage Package - 1418-V
- Wireless Music Kit Accessory - K-24916-NA

Required Products/Accessories

K-9653 Grab Bars

Recommended Products/Accessories

K-1601 Bath/Whirlpool Footstop



Codes/Standards

ASME A112.19.7/CSA B45.10
CSA B45.5/IAPMO Z124
ASTM E162
ASTM E662
UL 1795
CSA C22.2 No. 218.2
Greenguard UL 2818 - Gold

KOHLER® Plastic Baths and Receptors Lifetime Limited Warranty

KOHLER® Hydrotherapy Components Five-Year Limited Warranty

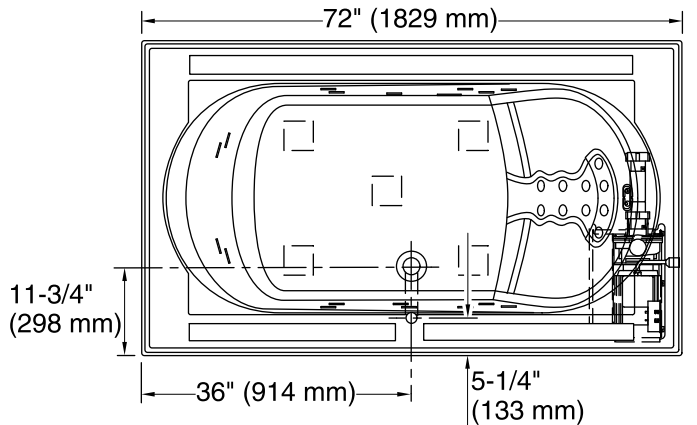
See website for detailed warranty information.

Available Colors/Finishes


Color tiles intended for reference only.

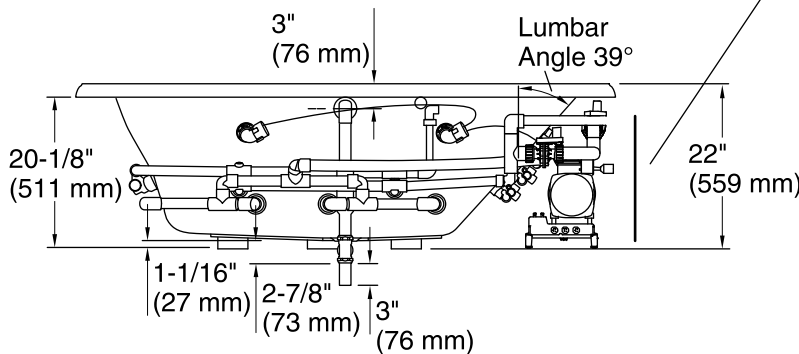
Color Code Description

	0	White
	96	Biscuit
	47	Almond
	NY	Dune
	G9	Sandbar

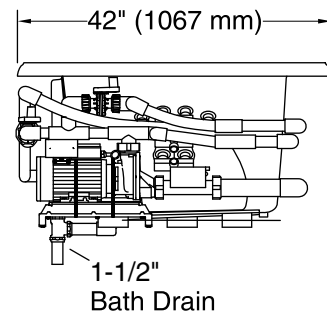


No change in measurement if connected with drain illustrated. (K-7161-AF)

 Recommended Faucet Location



Pump/Control Access
34" (864 mm) W x 15" (381 mm) H



Required Electrical Service

One dedicated circuit required, protected with Class A Ground-Fault Circuit-Interrupter (GFCI) or Residual Current Device (RCD).

Pump: 240 V, 20 A, 50/60 Hz

Technical Information

All product dimensions are nominal.

Installation:	Drop-in
Drain location:	Center
Basin area, bottom:	48" x 27" (1219 mm x 686 mm)
Basin area, top:	60" x 30" (1524 mm x 762 mm)
Weight:	140 lbs (63.5 kg)
Minimum floor load:	44 lbs/ft ² (214.8 kg/m ²)
Water depth:	16" (406 mm)
Water capacity:	86 gal (325.5 L)
Cutout:	Drop-in, 70-1/2" x 40-1/2" (1791 mm x 1029 mm)
Electrical component rating:	Pump: 240 V, 11 A, 50/60 Hz, 1500 W
Pump speed:	Variable

Notes

Measure your actual product for rough-in details. Install this product according to the installation instructions.

The hot water supply should be 70% of the capacity of the bath or greater. Installations will vary.

This whirlpool is designed for drop-in installation only. It is not suited for use in a three wall alcove with an overhead shower.

If installing a rim-mount faucet, make sure there is no interference above or below the deck before drilling any holes.