



## Briar Rose Revival®

Toilet

K-14239-BR

### Features

- Vitreous china.
- Combination toilet.
- Includes seat and cover.
- Includes polished chrome lift knob.
- With Insuliner® insulated tank lining.
- KOHLER Artist Editions design.
- Lift knob and seat trim available in a variety of matching colors and finishes.
- Less supply.
- 12" (305 mm) rough-in.
- 1.6 gpf (6 lpf).
- 2" (51 mm) glazed trapway.
- 10-1/4" (260 mm) x 9-1/8" (232 mm) water area.

### Components

Product includes:

K-14240-BR Toilet Bowl

K-14279-BR Toilet Tank

Additional included component/s: Tank cover, Flush actuator, Bolt cap accessory pack, Tank accessory pack, and Toilet seat.

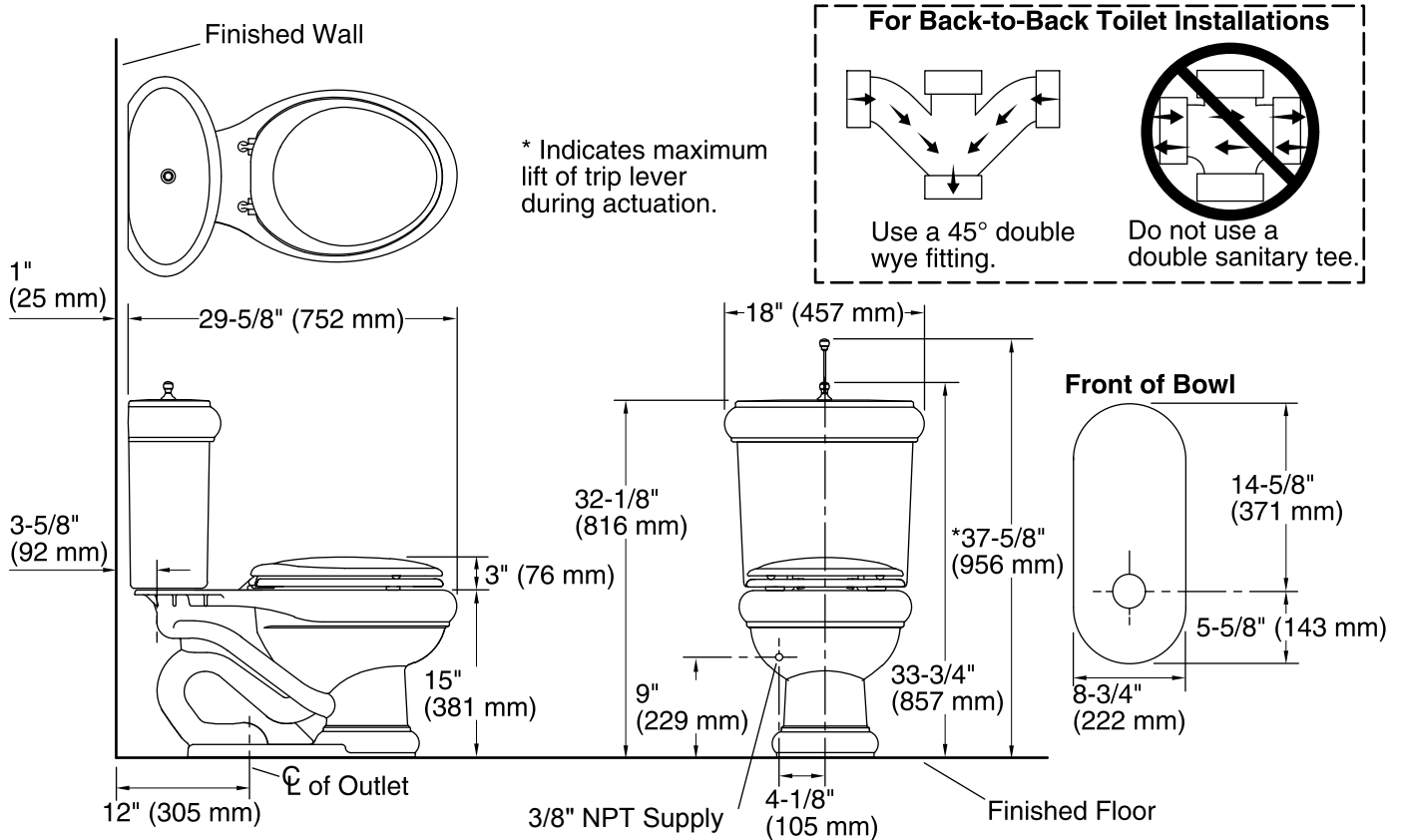


### Codes/Standards

ASME A112.19.2/CSA B45.1

### KOHLER® One-Year Limited Warranty

See website for detailed warranty information.



### Technical Information

All product dimensions are nominal.

Toilet type: Two-piece, Floor-mount

Waste Outlet: Floor

Bowl shape: Elongated front

Flush type: Ingenium

Trap passageway: 2" (51 mm)

Water Consumption

Full: 1.6 gpf (6 lpf)

Water surface size: 10-1/4" x 9-1/8" (260 mm x 232 mm)

Rim to water surface: 6-1/2" (165 mm)

Rough-in: 12

Seat-mounting holes: 5-1/2" (140 mm)

### Fixture Supply Requirements

Min static pressure: 4.35 psi (30 kPa)

Max static pressure: 80 psi (551.6 kPa)

### Notes

Install this product according to the installation instructions.