

Features

- Two-piece toilet.
- Elongated bowl offers added room and comfort.
- Top-mounted two-button flush offers a choice of 1.6 or .8 gallons per flush (gpf).
- Seat included.
- Combination consists of the K-4308 bowl and the K-4472 tank.
- Coordinates with other products in the Escale collection.

Technology

- Dual-flush technology allows you to choose between a full- or partial-flush.

Installation

- Standard 12-inch rough-in.
- 4-inch diameter waste outlet required.

Water Conservation & Rebates

- WaterSense® toilets meet strict EPA flushing guidelines, including using at least 20 percent less water than 1.6-gallon toilets.

Components

Product includes:

K-4472 Toilet Tank

K-E70004 Escale® Elongated Toilet Seat

K-4308 Toilet Bowl

Additional included component/s: Tank cover, Dual flush push buttons, Installation kit, Installation template, and Tank accessory pack.



Codes/Standards

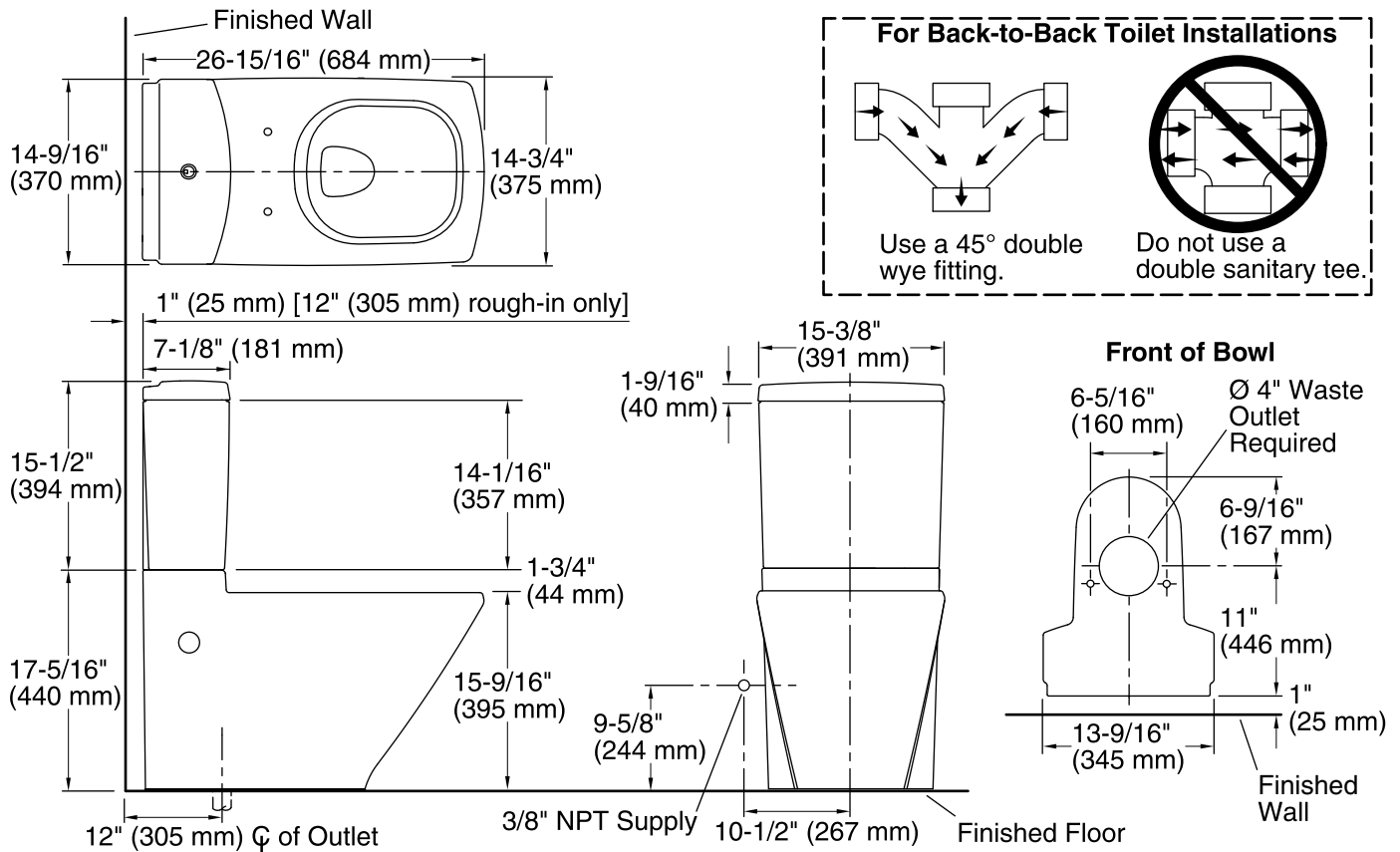
ASME A112.19.2/CSA B45.1

ASME A112.19.14

DOE - Energy Policy Act 1992

KOHLER® One-Year Limited Warranty

See website for detailed warranty information.



Technical Information

All product dimensions are nominal.

Toilet type:	Two-piece, Floor-mount
Waste Outlet:	Floor
Bowl shape:	Elongated front
Water Consumption	
Full:	1.6 gpf (6 lpf)
Reduced:	0.8 gpf (3 lpf)
Rim to water surface:	9-3/4" (248 mm)
Rough-in:	12
Seat-mounting holes:	6-1/4" (159 mm)

Fixture Supply Requirements

Min static pressure:	20 psi (137.9 kPa)
Max static pressure:	80 psi (551.6 kPa)

Notes

Install this product according to the installation instructions.

A 4" (102 mm) diameter waste outlet is required for this installation.

A 1" (25 mm) gap between the toilet and the wall is required.

A flange is not required for installation of this product. If this installation will be to new construction, do not install a flange on the waste outlet.

This toilet must be secured to the floor using the supplied floor anchors and bolts. If the subfloor is made of thin oriented strand board (OSB), we recommend that 1/2" (13 mm) plywood be attached to the subfloor at the floor anchor locations.

For back-to-back toilet installations: Use only a 45° double wye fitting.