



Memoirs® Stately

Toilet Tissue Holder
K-490

Features

- Solid-brass construction for durability.
- KOHLER finishes resist corrosion and tarnish.
- Coordinates with other products in the Memoirs Collection.

Installation

- Installation hardware included.

Components

Additional included component/s: Tools, and installation template.



Codes/Standards




None Applicable

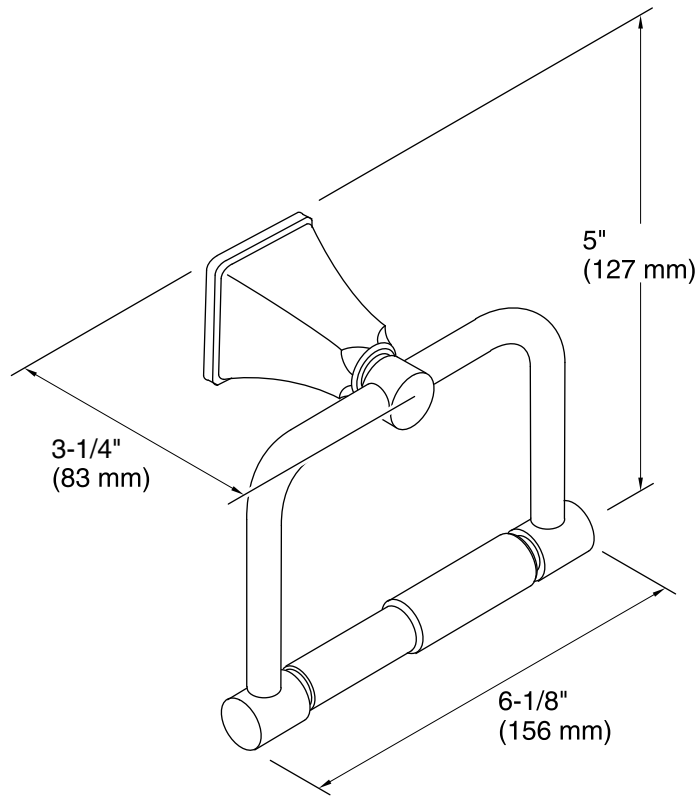
KOHLER® Faucet Lifetime Limited Warranty

See website for detailed warranty information.

Available Colors/Finishes

Color tiles intended for reference only.

Color	Code	Description
	CP	Polished Chrome
	BN	Vibrant® Brushed Nickel
	BV	Vibrant® Brushed Bronze
	2BZ	Oil-Rubbed Bronze



Technical Information

All product dimensions are nominal.

Notes

Install this product according to the installation guide.