

Features

- Two lever handles allow for both volume and temperature control.
- Includes pop-up drain with 1-1/4" tailpiece.
- 1.2 gal/min (4.5 l/min) maximum flow rate [max at 60 psi (4.1 bar)].
- 5-15/16" spout reach.
- KOHLER ceramic disc valves exceed industry longevity standards for a lifetime of durable performance.
- Handles pre-assembled on KOHLER Ultraglide™ Ceramic Disc Valves to simplify installation.
- Coordinates with Composed faucets, accessories, and showering components to complete your bathroom.
- Premium Metal Construction.
- KOHLER finishes resist corrosion and tarnishing.
- For 8" (203 mm) or 16" (406 mm) spout reach.
- Widespread.
- NEW Quick-Connect hose connections make widespread faucet installation a snap.



ADA **CSA B651** **OBC**

Codes/Standards



ASME A112.18.1/CSA B125.1
NSF/ANSI 61
NSF/ANSI 372
All applicable US Federal and State material regulations
DOE - Energy Policy Act 1992
EPA WaterSense®
California Energy Commission (CEC)
ADA
ICC/ANSI A117.1
CSA B651
OBC

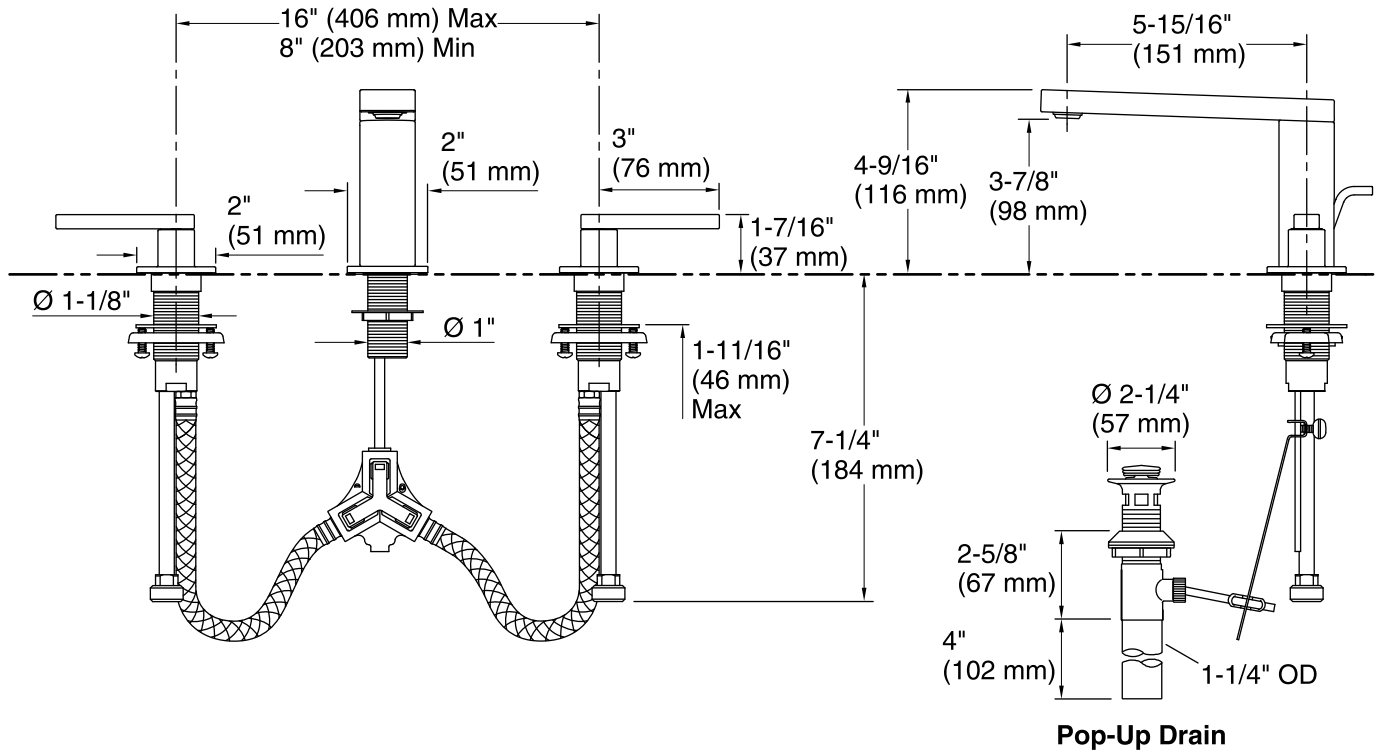
KOHLER® Faucet Lifetime Limited Warranty

See website for detailed warranty information.

Available Colors/Finishes

Color tiles intended for reference only.

Color	Code	Description
	CP	Polished Chrome
	TT	Titanium



Technical Information

All product dimensions are nominal.

Faucet:

Flow rate: 1.2 gal/min (4.5 l/min)
 Pressure: 60 psi (4.1 bar)
 Valve body: Machined-brass
 Drain with overflow: Yes
 Drain tailpiece included: Yes

Spout:

Spout reach: 5-15/16" (151 mm)
 Handle clearance: 3" (76 mm)

Notes

Install this product according to the installation guide.
 ADA, OBC, CSA B651 compliant when installed to the specific requirements of these regulations.