



**Composed®**  
Vertical Toilet Tissue Holder  
**K-73148**

**Features**

- Vertical holder makes changing toilet tissue quick and simple.
- Premium metal construction for durability.
- KOHLER finishes resist corrosion and tarnish.
- Coordinates with faucets and accessories in the Composed collection.



**Codes/Standards**



None Applicable

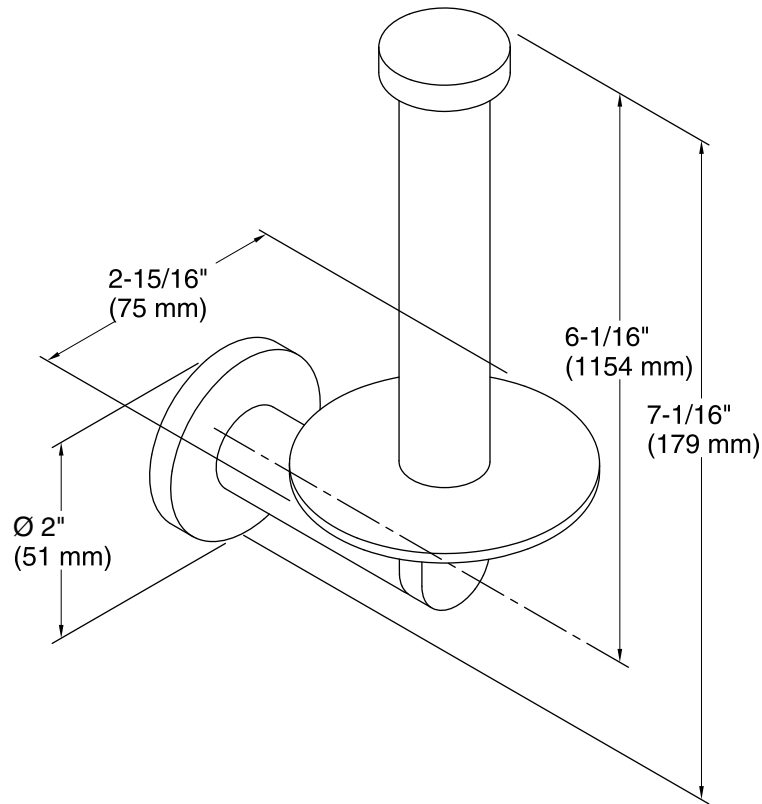
**KOHLER® Faucet Lifetime Limited Warranty**

See website for detailed warranty information.

**Available Colors/Finishes**

*Color tiles intended for reference only.*

Color	Code	Description
	CP	Polished Chrome
	TT	Titanium



## Technical Information

All product dimensions are nominal.

## Notes

Install this product according to the installation guide.