

Features

- Single lever handle allows for both on/off activation and temperature setting.
- KOHLER ceramic disc valves exceed industry longevity standards for a lifetime of durable performance.
- Includes Shift® handshower and 60-inch shower hose.
- 7 gpm (gallons per minute) at 45 PSI.
- 1.75 gpm (gallons per minute) flow rate for handshower.
- Requires K-97343 mounting-block.
- Coordinates with Loure® faucets, accessories and showering components to complete your bathroom.

Material

- Premium metal construction.
- KOHLER finishes resist corrosion and tarnishing.

Installation

- Floor-mount.
- Compatibility with tub varies by application.

Required Products/Accessories

K-97343 Mounting-block

Components

Additional included component/s: 45203.



Codes/Standards

ASME A112.18.1/CSA B125.1

DOE - Energy Policy Act 1992

EPA WaterSense®

California Energy Commission (CEC)

KOHLER® Faucet Lifetime Limited Warranty

See website for detailed warranty information.

Available Colors/Finishes

Color tiles intended for reference only.

Color	Code	Description
-------	------	-------------



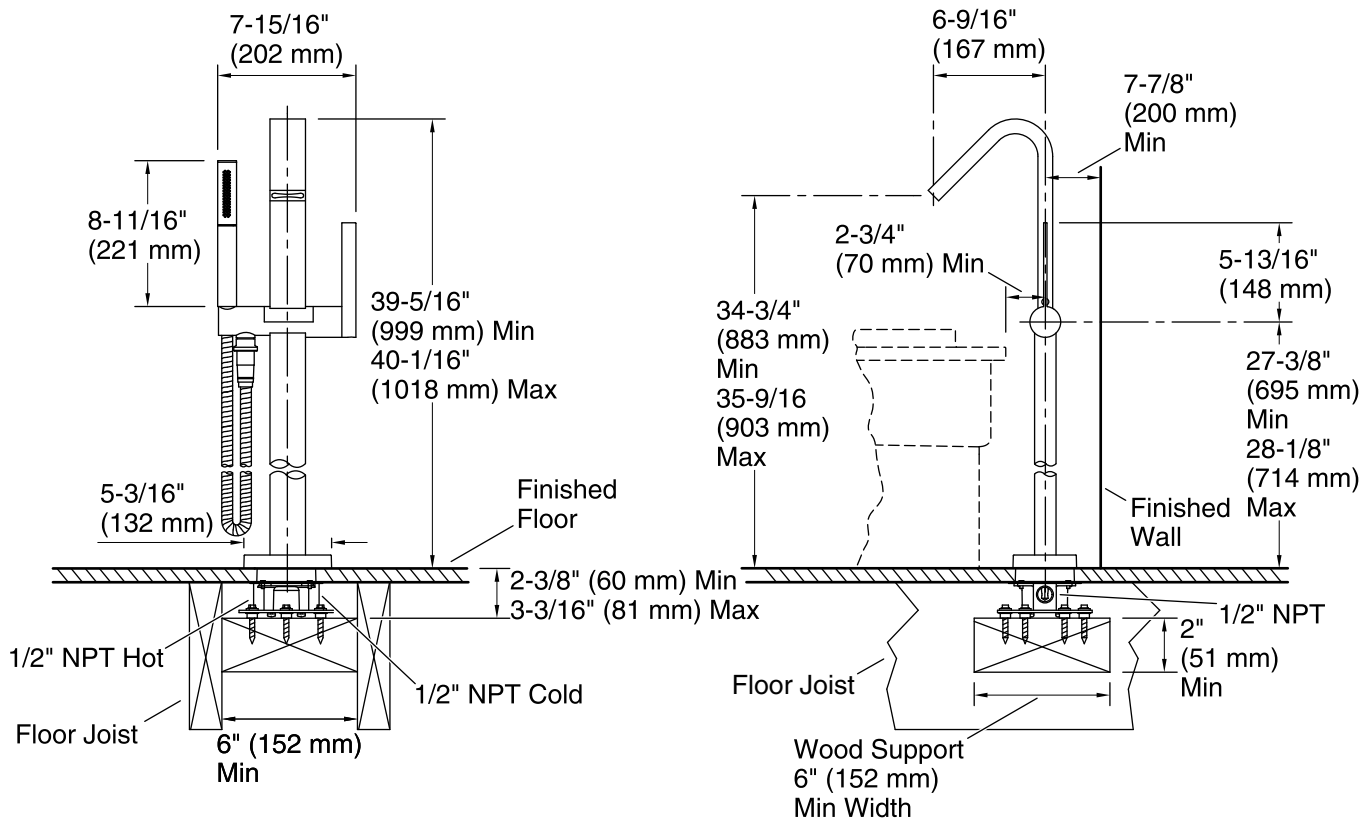
CP Polished Chrome



SN Vibrant® Polished Nickel



BN Vibrant® Brushed Nickel



Technical Information

All product dimensions are nominal.

Faucet:

Flow rate: 7 gal/min (26.5 l/min)
 Pressure: 45 psi (3.1 bar)
 Valve body: Composite
 Drain included: No

Spout:

Spout reach: 6-5/8" (168 mm)
 Handle clearance: 5-13/16" (147 mm)

Handshower:

Rated maximum flow: 1.75 gal/min (6.6 l/min)
 Pressure: 80 psi (5.5 bar)

Notes

Install this product according to the installation guide.

Adequate floor support is required. The wood support must be a minimum of 2" (51 mm) thick by 6" (152 mm) wide. 2x6 lumber is NOT adequate for this application.

Concrete can be used as the floor support. Requires 3/16" masonry drill bit and six 1/4" x 1-3/4" concrete screws, not included.