

### Features

- Single-lever handle allows for both on/off activation and temperature setting
- Includes Shift handshower and 60" hose.
- KOHLER ceramic disc valves exceed industry longevity standards for a lifetime of durable performance.
- 8 gpm maximum flow rate at 45 psi
- 8-1/2" spout reach
- 33-3/4" max. spout height
- Coordinates with Stillness faucets, accessories, and showering components to complete your bathroom.

### Material

- Premium Metal Construction.
- KOHLER finishes resist corrosion and tarnishing.

### Installation

- Floor-mount
- Compatibility with tub varies by application

### Required Products/Accessories

K-97339 Multiproduct Mounting-block



### Codes/Standards

ASME A112.18.1/CSA B125.1  
DOE - Energy Policy Act 1992  
EPA WaterSense®  
California Energy Commission (CEC)

### KOHLER® Faucet Lifetime Limited Warranty

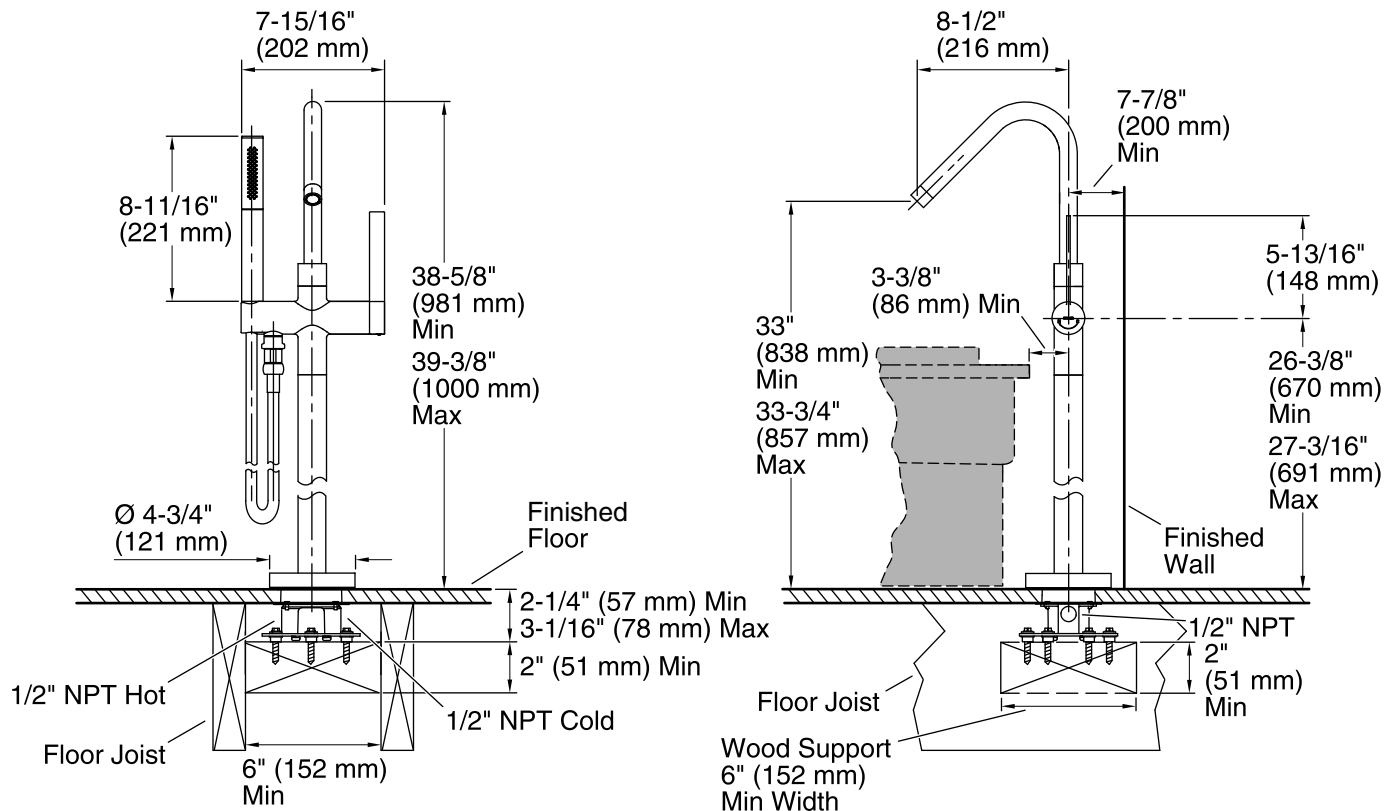
See website for detailed warranty information.

### Available Colors/Finishes

*Color tiles intended for reference only.*

Color	Code	Description
-------	------	-------------

	CP	Polished Chrome
--	----	-----------------



### Technical Information

All product dimensions are nominal.

#### Faucet:

Flow rate: 6 gal/min (22.7 l/min)

Pressure: 45 psi (3.1 bar)

#### Spout:

Spout reach: 8-1/2" (216 mm)

Handle clearance: 5-13/16" (148 mm)

#### Handshower:

Rated maximum flow: 1.75 gal/min (6.6 l/min)

Pressure: 80 psi (5.5 bar)

### Notes

For use with automatic compensating valves rated at 1.3 gal/min (4.9 l/min) or less.

Install this product according to the installation guide.

Adequate floor support is required. The wood support must be a minimum of 2" (51 mm) thick by 6" (152 mm) wide. 2x6 lumber is NOT adequate for this application.

Concrete can be used as the floor support.

Requires 3/16" masonry drill bit and six 1/4" x 1-3/4" concrete screws, not included.