



Catalogue :
BLAST CHILLERS AND FREEZERS

Chapter :
ATA BLAST CHILLER & FREEZER

Article :
ATA-101 230V 1N 50Hz

Code:
19020653

<u>DIMENSIONS AND WEIGHTS</u>		<u>Net dimensions</u>	<u>Packed</u>
Length	mm	900,00	995,00
Depth	mm	935,00	974,00
Height	mm	1.766,00	1.995,00
Weight	kg	171,00	180,00
Volume	m3	1,49	1,93

<u>ELECTRICITY</u>		<u>50Hz</u>	
Power	230V		2,00 kW
Connections	230 V. 1+N+T	2X1,5+T - 10 A	
	230 V. III+T	3X10+T - 63 A	
	400 V. III+N+T	4X25+T -125 A	

GAS Not necessary

WATER Not necessary

STEAM Not necessary

AIR Not necessary

Refrigeration power **R-404A**
1,300

Climat class **3**

SOUND LEVEL **< 65,00 db**

CERTIFICATES **SGS-2103-0906-1**

<u>INSTALLATION - CONNECTIONS</u>		<u>Ø</u>
▶ ELECTRICITY	SI	
▶ DRAIN		38

DESCRIPTION

COMPACT BLAST CHILLER, ATA-101

SPECIFICATIONS

Mixed models, for chiller blasting (+3 °C) or freezing cycles (-18 °C).

There two working options both for chiller blasting and freezing:

- Power cycle: for over 2 cm thick compact products.
- Soft cycle: for less than 2 cm thick or low density products. The cycle is run in two programmed stages. The soft cycle prevents frost on the product.

Cycle duration:

- Refrigerating cycle: 90 minutes.
- Freezing cycle: 240 minutes.

Electronic timer and temperature sensor.

The cycles can be controlled by time or by temperature according to the reading of the temperature sensor inside the product (time control is automatically applied when no probe is used).

When the refrigerating cycle is over, the equipment works as a refrigerated cabinet, and the temperature remains between +2 and +4 °C, or as a freezer, with temperatures under -18 °C.

Hermetically sealed compressor with ventilated condenser.

R-404A ecological cooling (CFC free).

60 mm thick injected polyurethane isolation.

40 kg density. CFC free.

Copper piping and aluminium flaps evaporator.

Forced draught cooling system.

Automatic evaporation of defrosting water.

Inner tray slides included.

Capacity: 10 GN-1/1

Production Kg/cycle of refrigeration: 30 Kg

Production Kg/cycle of freezing: 20 Kg

Electric power: 2000 W

Cooling power: 1300 W

Dimensions: 900x935x1766 mm





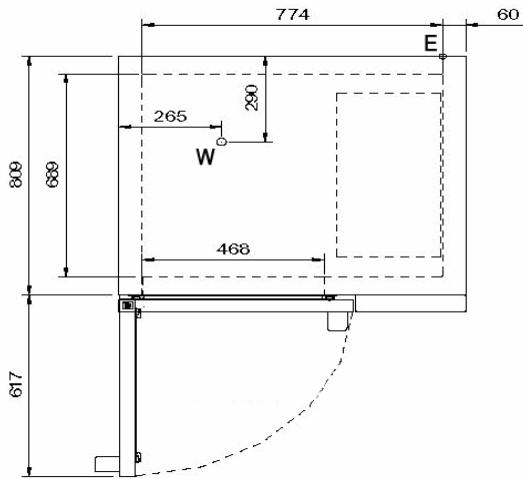
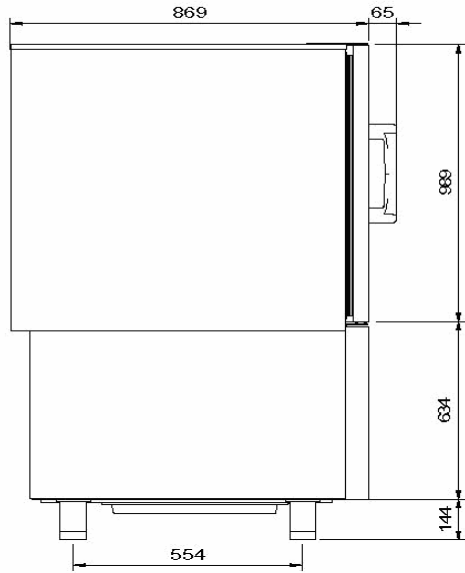
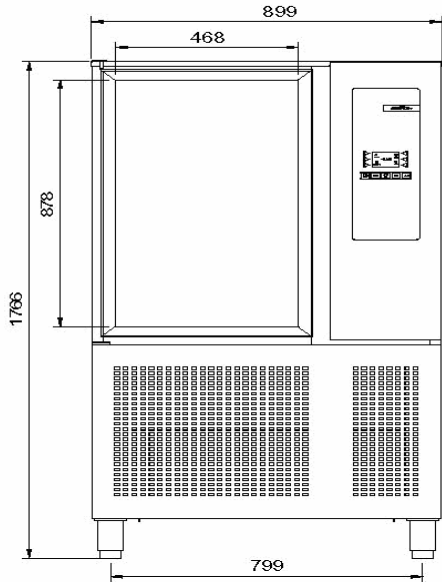
Catalogue :
BLAST CHILLERS AND FREEZERS

Chapter :
ATA BLAST CHILLER & FREEZER

Article :
ATA-101 230V 1N 50Hz

Code :
19020653

SCHEMA - DIMENSIONS



E : Toma eléctrica
Electrical connection

W: Toma de agua
Water inlet

