



Catalogue :

**BLAST CHILLERS AND FREEZERS**

Chapter :

**ATA BLAST CHILLER & FREEZER**

Article :

**ATA-102 400V 3N 50Hz**

Code:

**19033204**

<u>DIMENSIONS AND WEIGHTS</u>		<u>Net dimensions</u>	<u>Packed</u>
Length	mm	<b>1.200,00</b>	<b>1.245,00</b>
Depth	mm	<b>1.130,00</b>	<b>1.315,00</b>
Height	mm	<b>1.766,00</b>	<b>2.000,00</b>
Weight	kg	<b>269,00</b>	<b>285,00</b>
Volume	m3	<b>2,31</b>	<b>3,27</b>

<u>ELECTRICITY</u>		<u>400V</u>	<u>50Hz</u>
Power			<b>2,30 kW</b>
Connections	230 V. 1+N+T	<b>2X1,5+T - 2 A</b>	
	230 V. III+T	<b>3 X 2,5 + T - 20A</b>	
	400 V. III+N+T	<b>4X1,5 +T - 6 A.</b>	

GAS Not necessary

WATER Not necessary

STEAM Not necessary

AIR Not necessary

Refrigeration power **R-404A**  
**2,850**

Climat class **5**

SOUND LEVEL **< 65,00 db**

CERTIFICATES **SGS-2103-0906-1**

<u>INSTALLATION - CONNECTIONS</u>		<u>Ø</u>
▶ ELECTRICITY	SI	
▶ DRAIN		38

DESCRIPTION

COMPACT BLAST CHILLER, ATA-102

SPECIFICATIONS

Mixed models, for chiller blasting (+3 °C) or freezing cycles (-18 °C).

There two working options both for chiller blasting and freezing:

- Power cycle: for over 2 cm thick compact products.

- Soft cycle: for less than 2 cm thick or low density products. The

cycle is run in two programmed stages. The soft cycle prevents frost on the product.

Cycle duration:

- Refrigerating cycle: 90 minutes.

- Freezing cycle: 240 minutes.

Electronic timer and temperature sensor.

The cycles can be controlled by time or by temperature according to the

reading of the temperature sensor inside the product (time control is

automatically applied when no probe is used).

When the refrigerating cycle is over, the equipment works as a

refrigerated cabinet, and the temperature remains between +2 and +4 °C,

or as a freezer, with temperatures under -18 °C.

Hermetically sealed compressor with ventilated condenser.

R-404A ecological cooling (CFC free).

60 mm thick injected polyurethane isolation.

40 kg density. CFC free.

Copper piping and aluminium flaps evaporator.

Forced draught cooling system.

Inner tray slides included.

Capacity: 20 GN-1/1

Production Kg/cycle of refrigeration: 70 Kg

Production Kg/cycle of freezing: 50 Kg

Electric power: 2300 W

Cooling power: 2850 W

Dimensions: 1200x1130x1766 mm





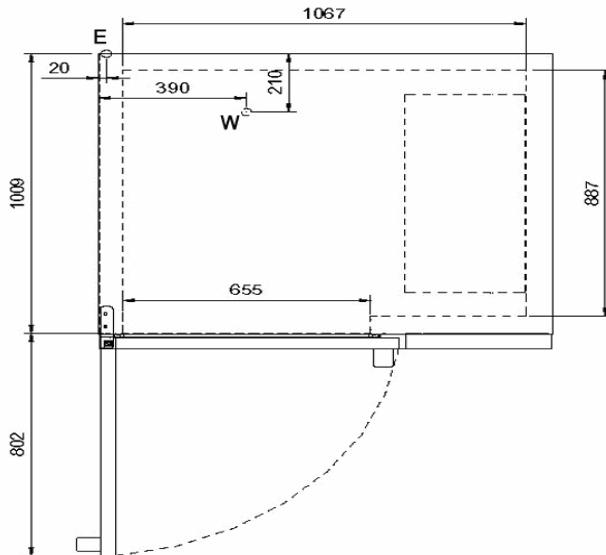
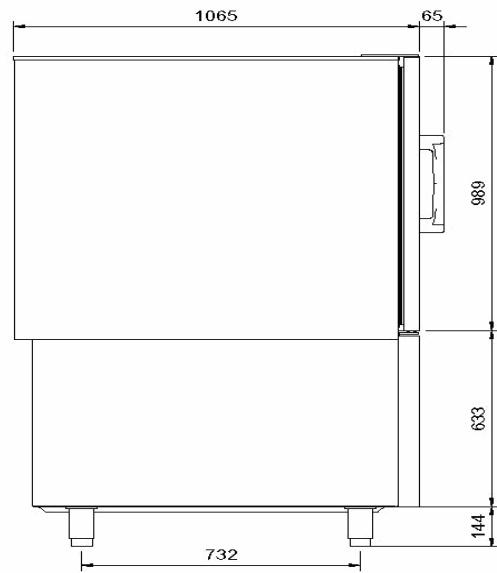
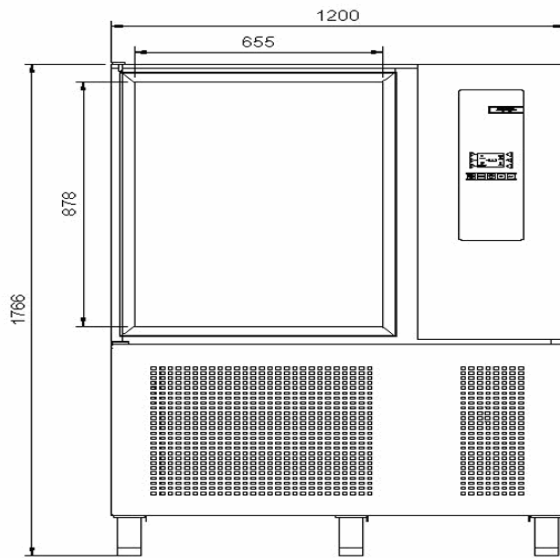
Catalogue :  
**BLAST CHILLERS AND FREEZERS**

Chapter :  
**ATA BLAST CHILLER & FREEZER**

Article :  
**ATA-102 400V 3N 50Hz**

Code :  
**19033204**

**SCHEMA - DIMENSIONS**



E : Toma eléctrica  
 Electrical connection

W: Toma de agua  
 Water inlet